
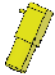


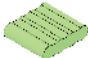
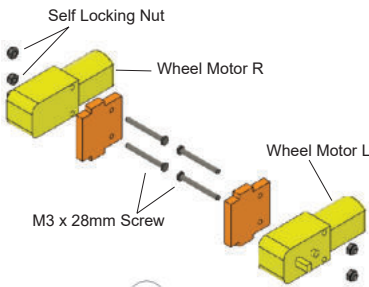


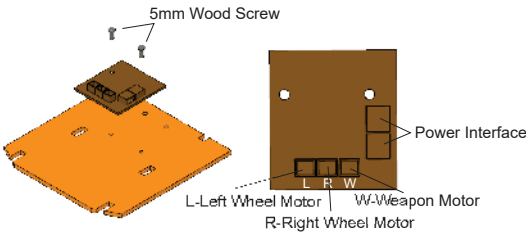
HAMMERHEAD SHARK

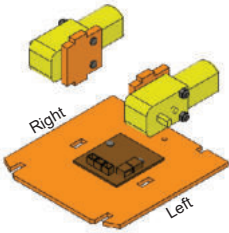
CONTENTS

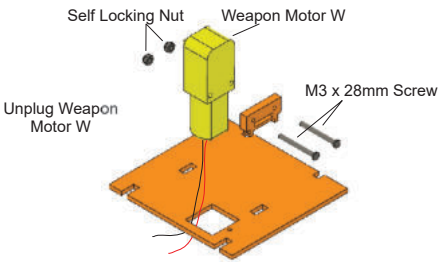
	1x Wooden Panel Set		5x 5mm Wood Screw			
	1x Circuit Board		6x M3 x 28mm Screw			
	1x Weapon Motor (W)		4x 10mm Wood Screw			
	2x Wheel Motor (L & R)		1x 5mm Flanged Wood Screw			1x Ball Caster
	2x Wheel		6x Self Locking Nut			1x Battery Pack

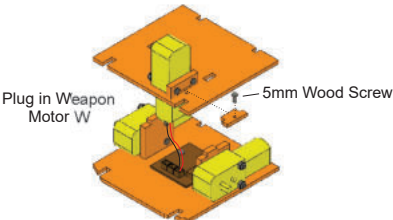
INSTRUCTIONS

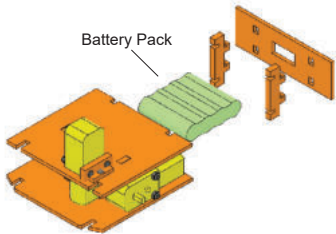
- 

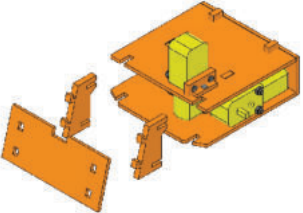
1
- 

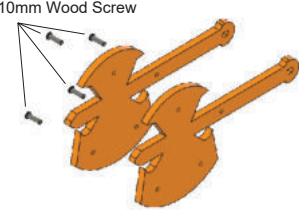
2
- 

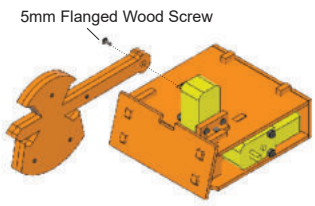
3
- 

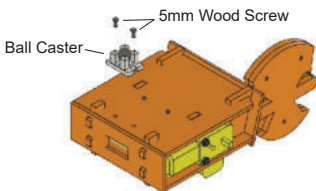
4
- 

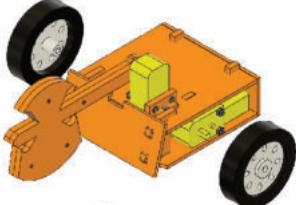
5
- 

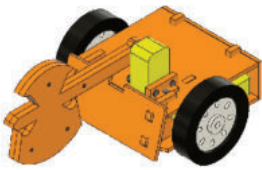
6
- 

7
- 

8
- 

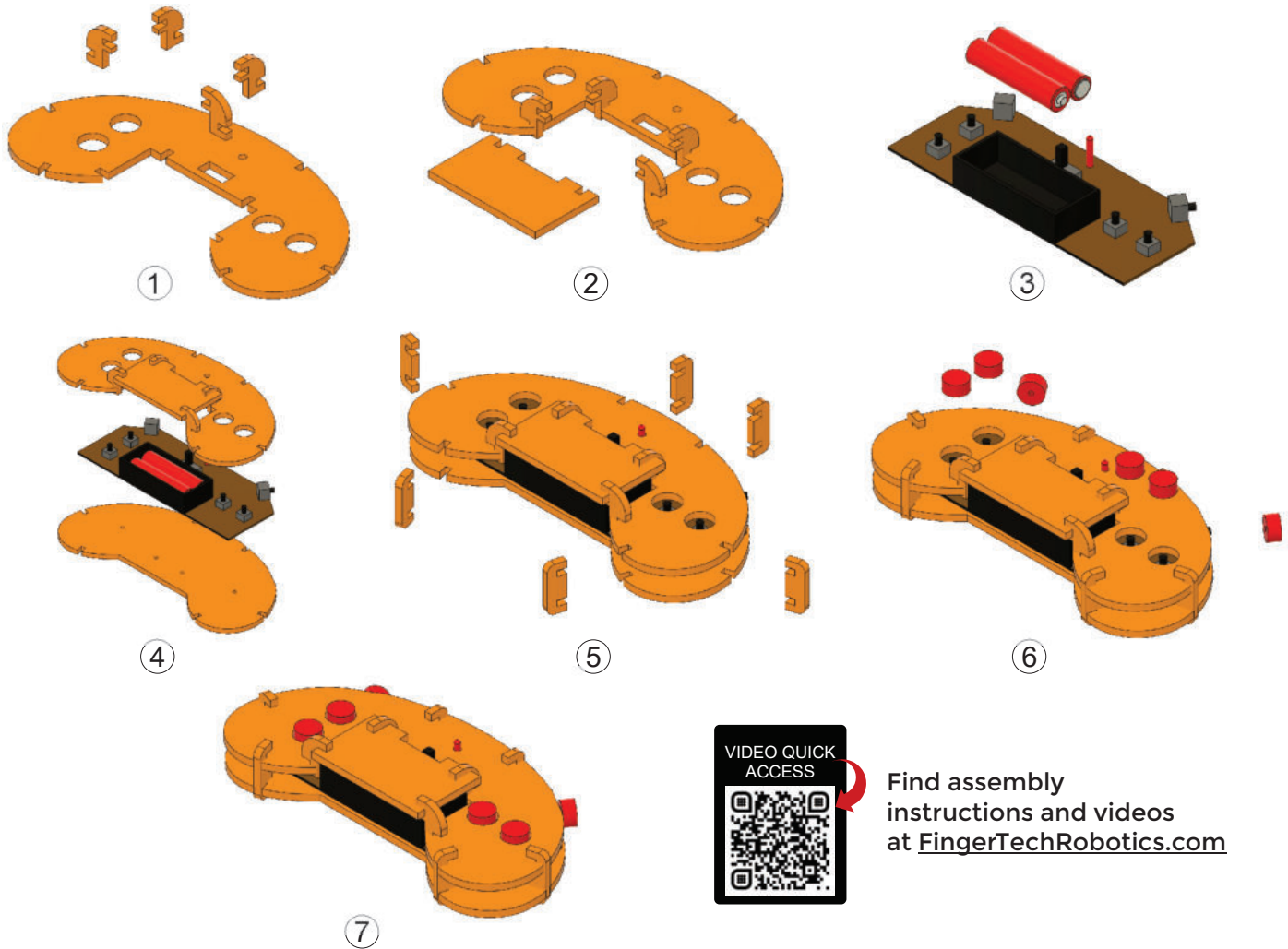
9
- 

10
- 

11
- 

12

REMOTE CONTROL



Find assembly instructions and videos at FingerTechRobotics.com

SCIENCE
SALAD

distributed
by

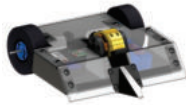


MASTERED THE TOYS?



**VIPER
COMBAT ROBOT
KITS & ADD-ONS**

The #1 kit recommended by builders for starting in combat robotics.



**EVERYTHING YOU
NEED TO COMPETE
IN YOUR FIRST EVENT!**