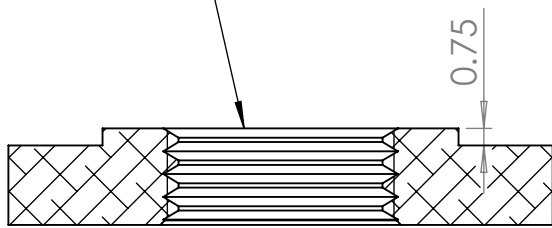
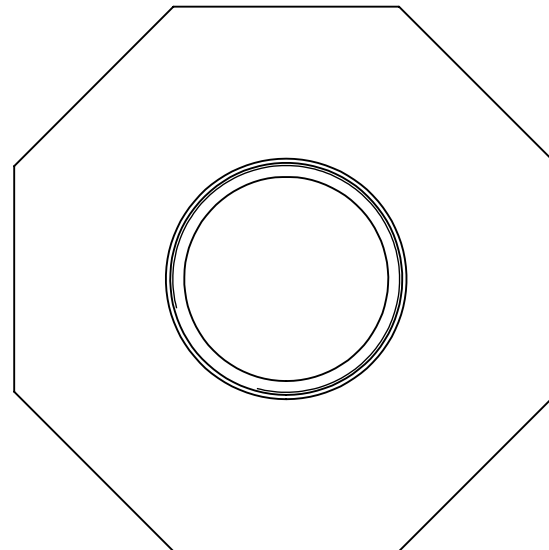
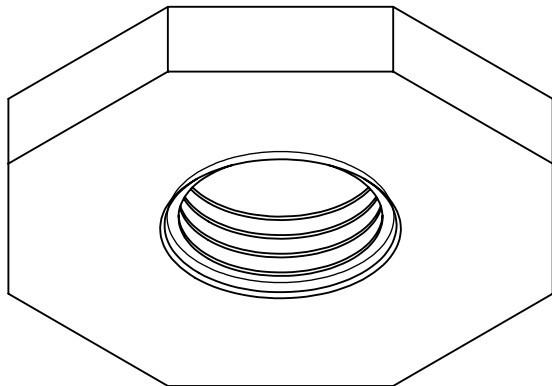
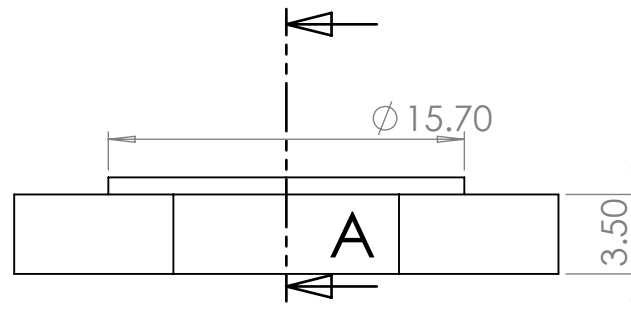


M10x1.0 thread



SECTION A-A



Blade Hub Nut R2
FingerTech Robotics - Feb 14, 2017

Material: 6061 aluminum
Anodized red
Scale: 3:1 (in millimeters)