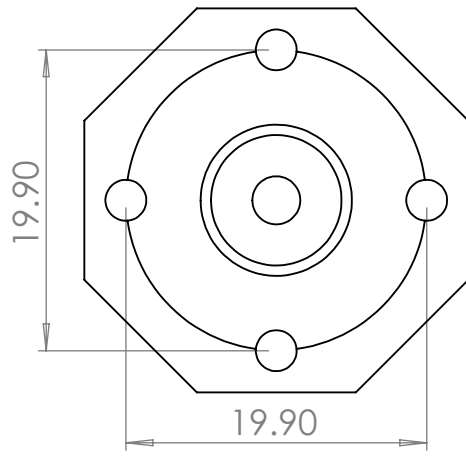
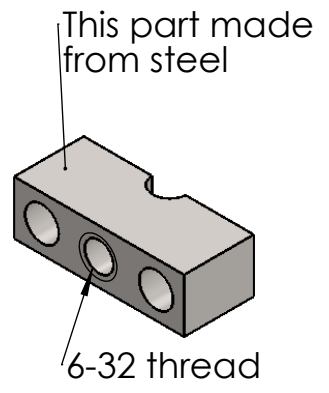
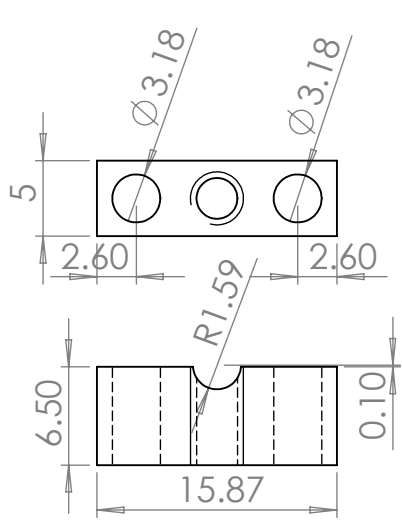
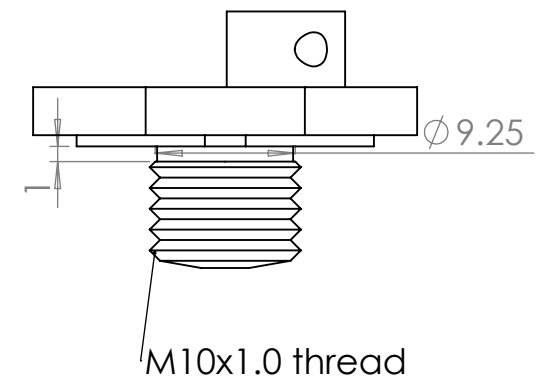
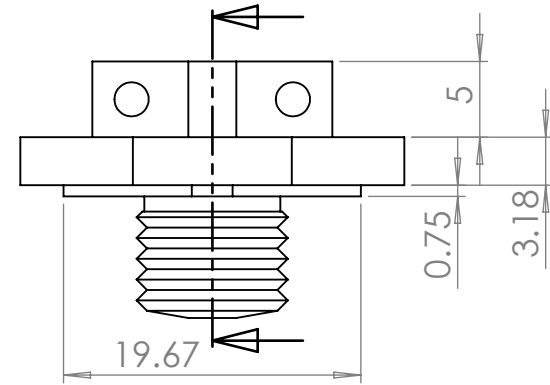
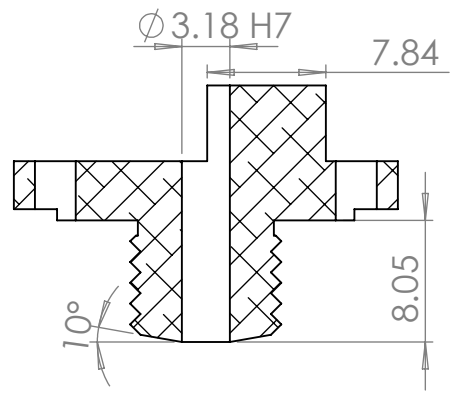


Both parts are sized so that there is a 0.2mm gap when clamped on a 3.175mm shaft



Blade Hub Center R4
 FingerTech Robotics - Feb 14, 2017
 Material: 6061-T6 aluminum anodized red, steel galvanized white
 Scale: 2:1 (in millimeters)
 Tolerance (unless specified): 0.2mm