

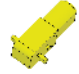






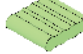
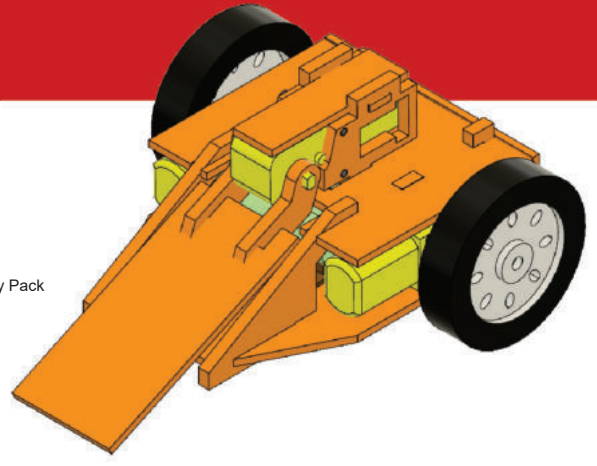


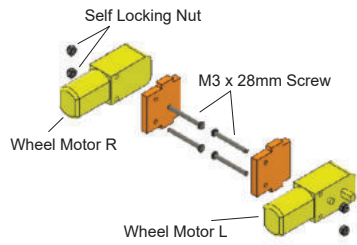
# NILE CROCODILE

## CONTENTS

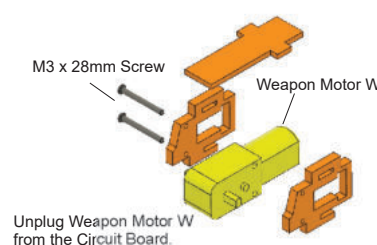
-  1x Wooden Panel Set
-  1x Circuit Board
-  1x Weapon Motor (W)
-  2x Wheel Motor (L & R)
-  4x 5mm Wood Screw
-  6x M3 x 28mm Screw
-  4x Self Locking Nut
-  1x Ball Caster
-  2x Wheel
-  1x Battery Pack



## INSTRUCTIONS

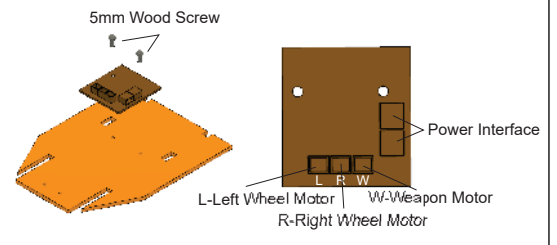
- 

Self Locking Nut  
5mm Wood Screw  
M3 x 28mm Screw  
Wheel Motor R  
Wheel Motor L

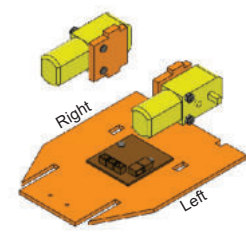
①
- 

M3 x 28mm Screw  
Weapon Motor W

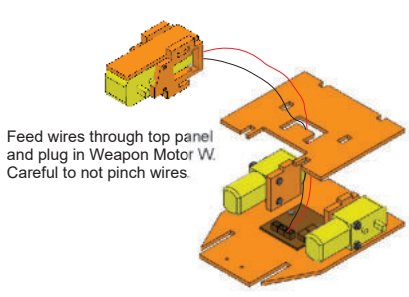
Unplug Weapon Motor W from the Circuit Board.

②
- 

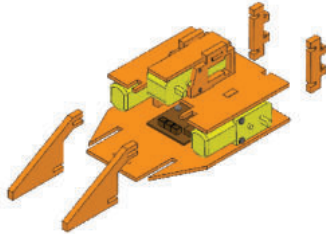
5mm Wood Screw  
Power Interface  
L-Left Wheel Motor | W-Weapon Motor  
R-Right Wheel Motor

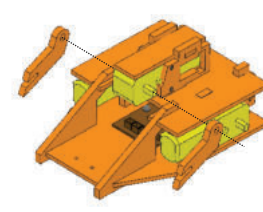
③
- 

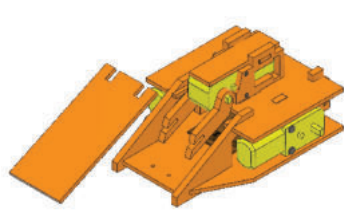
Right  
Left

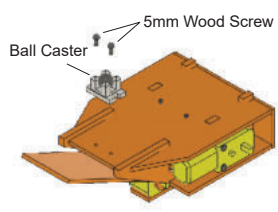
④
- 

Feed wires through top panel and plug in Weapon Motor W. Careful to not pinch wires.

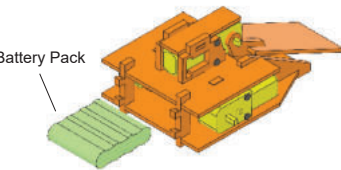
⑤
- 

⑥
- 

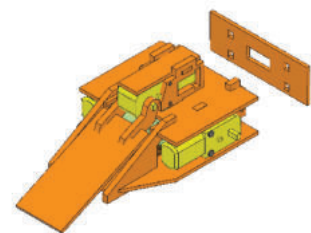
⑦
- 

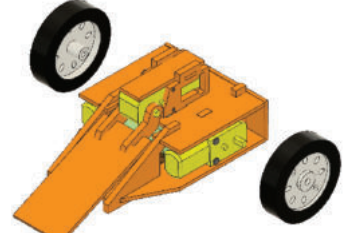
⑧
- 

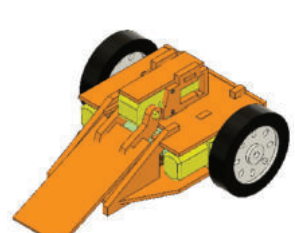
Ball Caster  
5mm Wood Screw

⑨
- 

Battery Pack

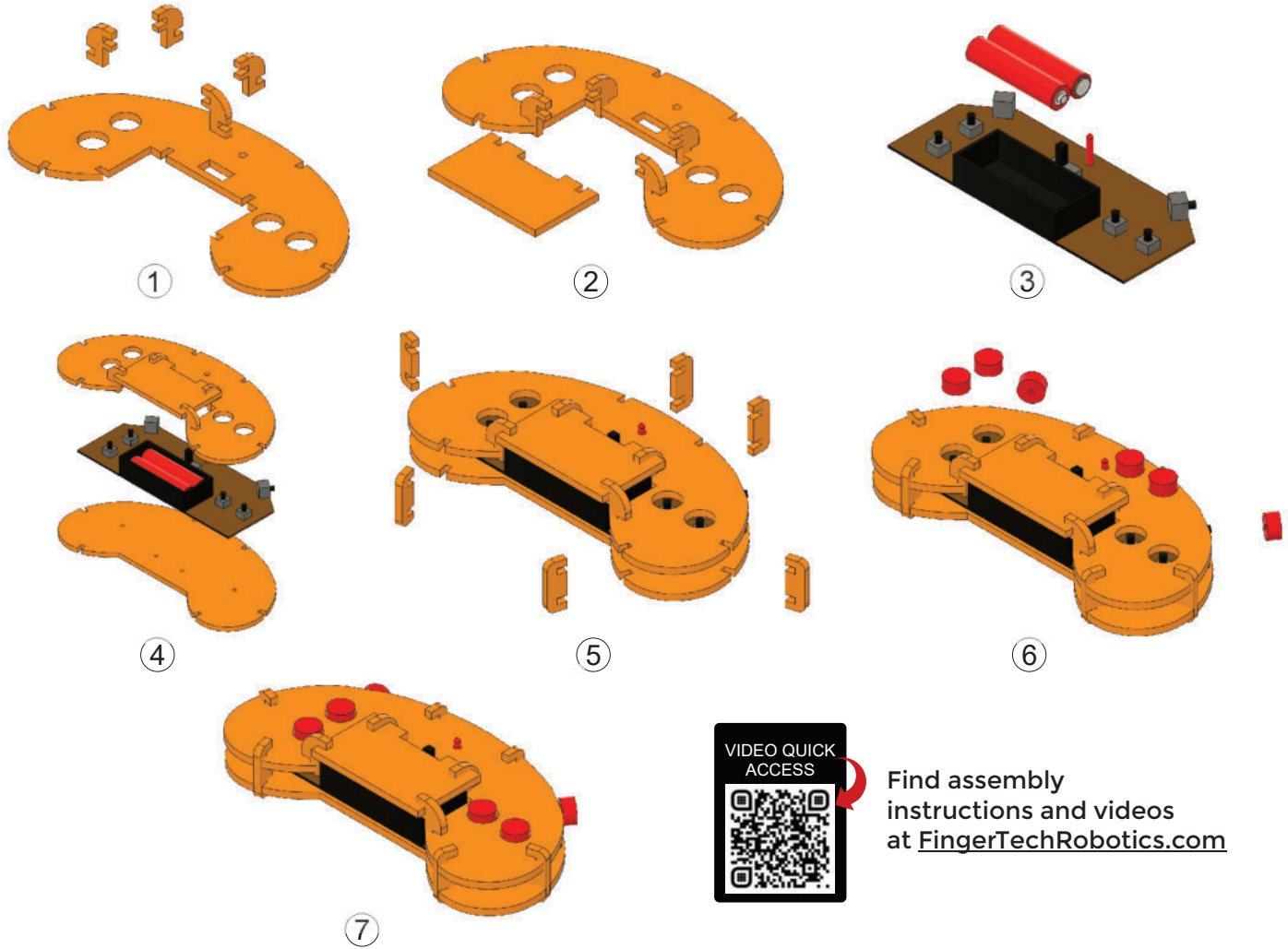
⑩
- 

⑪
- 

⑫
- 

⑬

# REMOTE CONTROL



Find assembly instructions and videos at [FingerTechRobotics.com](http://FingerTechRobotics.com)

SCIENCE  
SALAD

distributed by

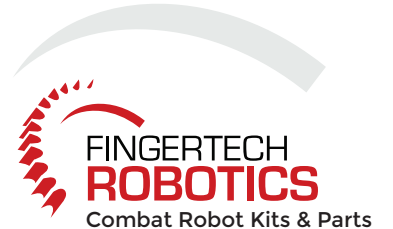
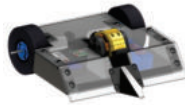


## MASTERED THE TOYS?



VIPER  
**COMBAT ROBOT**  
KITS & ADD-ONS

The #1 kit recommended by builders for starting in combat robotics.



**EVERYTHING YOU  
NEED TO COMPETE  
IN YOUR FIRST EVENT!**